

## W9446 & W14212 Jumbo Slide Football Instructions

**Background** – This game is designed to play like the classic finger or “flick” football game often played by kids on a table top with a folded piece of paper. In our game, the table is replaced by a floor with some marking tape and folded paper is replaced by an almost full sized (though flattened) foam football.

### Contents:

- 2 – Rolls of 2” Wide, 2 tone floor tape
- 6 – Two Tone Foam footballs
- 1- Instruction Sheet

### Optional Equipment:

Toy Goal Post – Available from Mylec and Franklin

**Field Set-Up:** Any smooth floor should work as your playing field. Using the floor tape create a rectangle that is 6’ long by 3’ wide. Be sure the tape sticks securely to the floor. Depending on the number of players, you may want to create up to 6 fields. Leave a minimum of a 4 foot border around the perimeter of each field.

**Goal Post:** For more fun and realistic play, we recommend using toy goal post like W7276 or W8382. Alternatively, goal post can be created on any vertical wall with 2 tone floor tape. The post would be 6’ wide, by 4’ high and the horizontal post should be about 4 feet off the ground.

**Players:** Each team can consist of 1 to 2 players. Players on the same team would position themselves at the same end of the field.

**“Coin Toss”:** To determine which team goes first, one team calls either brown or the other color (like red) of the ball. The opposite team throws the ball in the air above their head. If the called color lands that side facing up then they go first. If not, then the other team goes first.

**Play:** The first team to score 50 points wins the game.

- A team gets 6 points for a touchdown
- 1 point for an extra point
- 3 points for a field goal.

**Starting the Game:** The team going first places the ball straddling their goal line, about as shown in position “b”. One player on this team kicks the ball so that it slides on the ground towards the other team’s goal line. The goal is have the ball come to rest straddling the opposite teams goal line and score a touchdown! Balls that end up in positions “a” and “c” would be considered a touchdown. Basically as long as any part of the ball touches the opposing goal line it is a touchdown.

If the team fails to score a touchdown and the ball is within the boundaries of the field (like in position “f”), then the opposing team gets to kick the ball from that position towards the opposite teams goal line. Play continues back and forth with opposite teams and alternating players on each side until one team or the other scores.

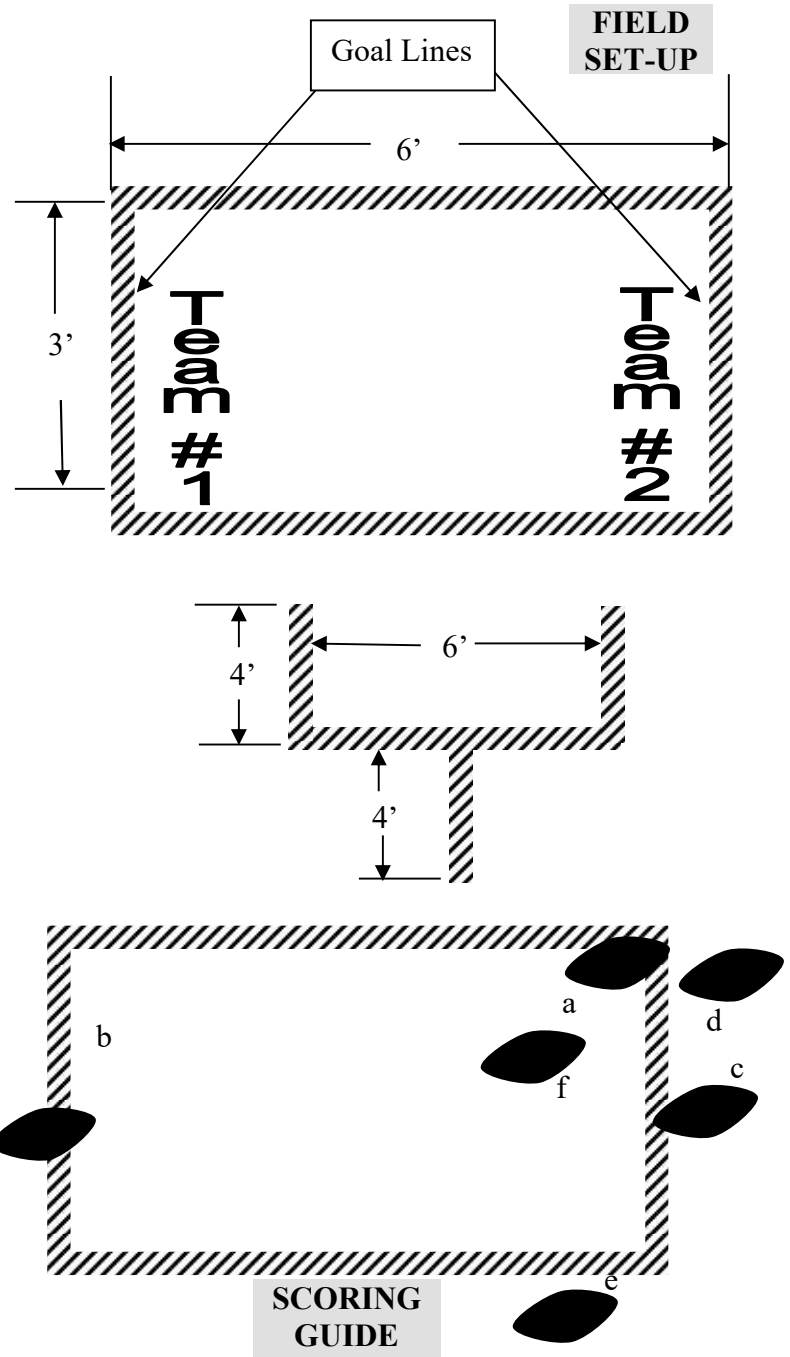
If the ball end up completely outside of the playing area (like shown in positions “e” and “d”), then the opposing team places the ball back on their goal line and resumes play. They also note that their opponent has one ball out. If the opposing team accumulates 3 balls out before either team scores a touchdown, then they get to attempt a field goal.

**Field Goal Attempts:** The ball is stood on the flat end of the ball at a distance of 6 feet from the goal post. One of the players on the team attempting the field goal, kicks the ball toward the goal post and tries to get it between the uprights to score a field goal. If the post have been created on a wall, then if the ball hits the post it is assumed to have gone through the post and be a good attempt earning the team 3 points. If toy post are being used, then the ball must travel through the post to be good. If it hits the post, but does not travel go over the cross bar then the attempt has failed. Players from the same team must alternate kicking attempts of field goal and extra points.

**Extra Points:** Are attempted the same as field goals, except the ball is placed 3 feet from the goal post.

**After a Kick:** After a team attempts a field goal or an extra point, the ball is placed on the opposing teams own goal line and play is resumed in the same manner the game started.

**Make it More Aerobic:** Its easy to add more activity to this game by simply making the players do an activity when the other team scores. For example if one team scores a touchdown, the other team would have to run around the “field” seven times.



Your Group's Name Here

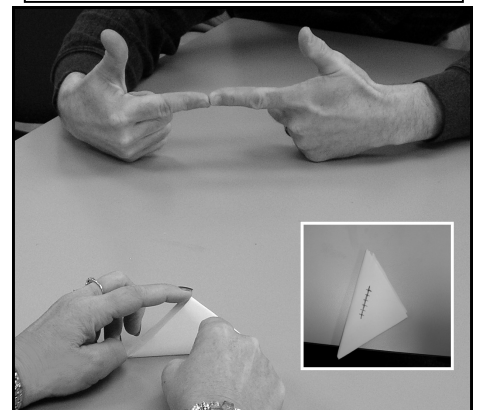
# Kick Football SuperBowl



Date: \_\_\_\_\_  
Start Time: \_\_\_\_\_  
End Time: Approximately \_\_\_\_\_

Classic Finger Football Game

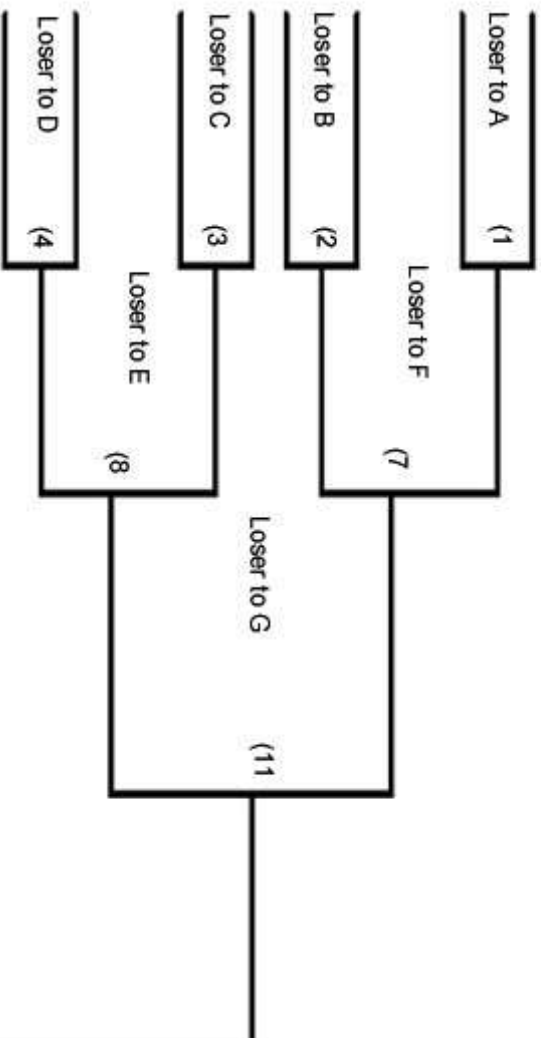
Kids will compete in 2 person teams in S&S Worldwide's new Kick Football ball game. This is a fun, completely non-contact football game that is played much like the classic finger football game except with a flat foam football and on a floor instead of a table top. Depending on how many kids sign-up, the teams will be divided into age brackets (most likely one group of teams for grades K to 2 and another group for grades 3 & 4). Prizes will be awarded for the winning team(s). The competition is open to any Broad Brook Elementary School student. If your son or daughter is interested, please sign the permission slip below and be sure to their teammate. By signing this release, you will be granting S&S Worldwide the right to take photographs and videos that may include images of your child for use on their website and catalogs.



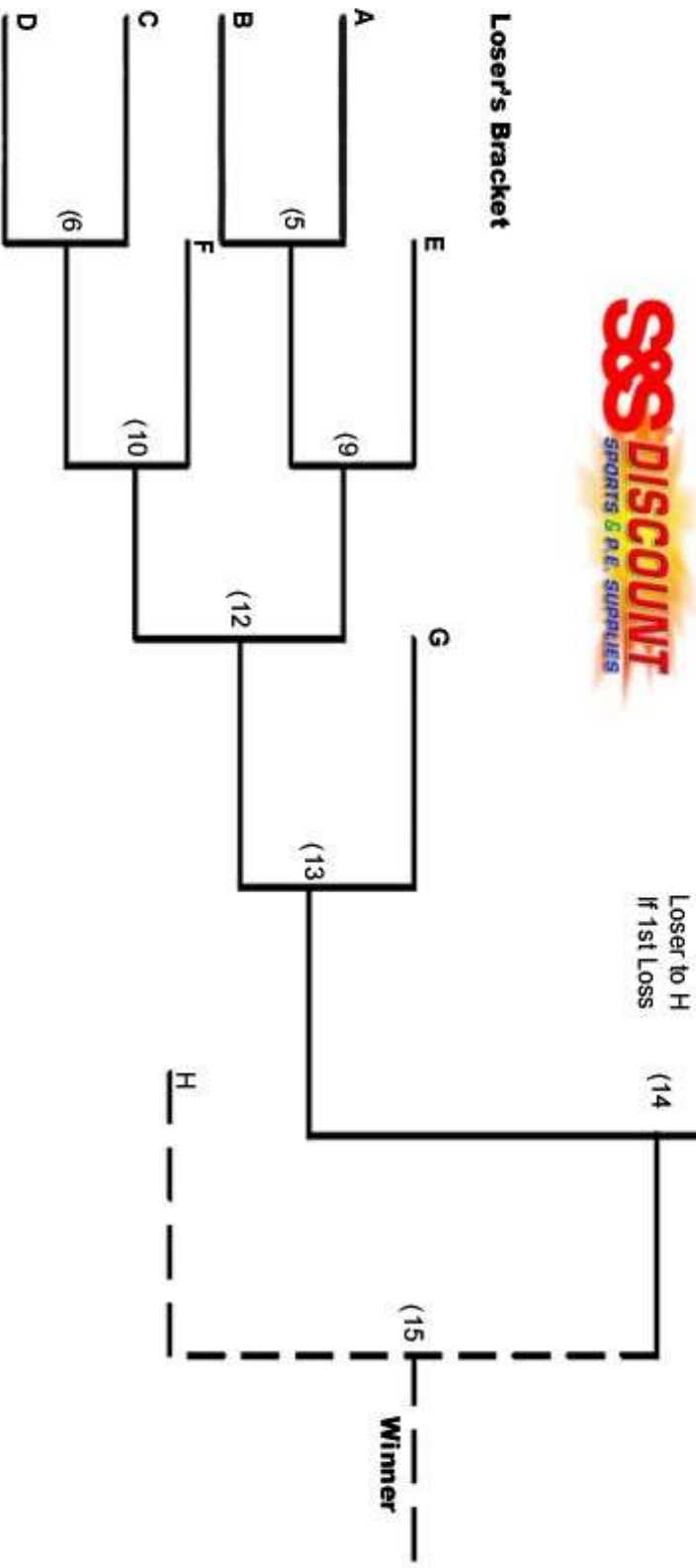
**Child's Name** \_\_\_\_\_ **Grade:** \_\_\_\_\_ (please print)  
**Teammate's Name** \_\_\_\_\_ **Grade:** \_\_\_\_\_ (please print)  
**Parent or Legal Guardian's Name** \_\_\_\_\_ (please sign and date)

**Winner's Bracket**

**8 Team Double Elimination**

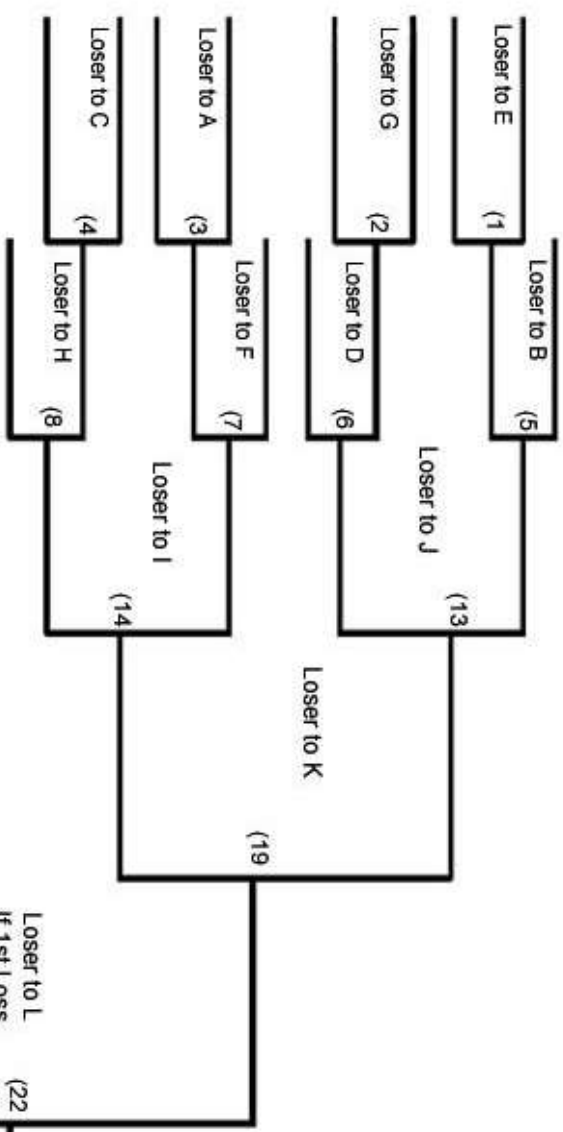


**Loser's Bracket**

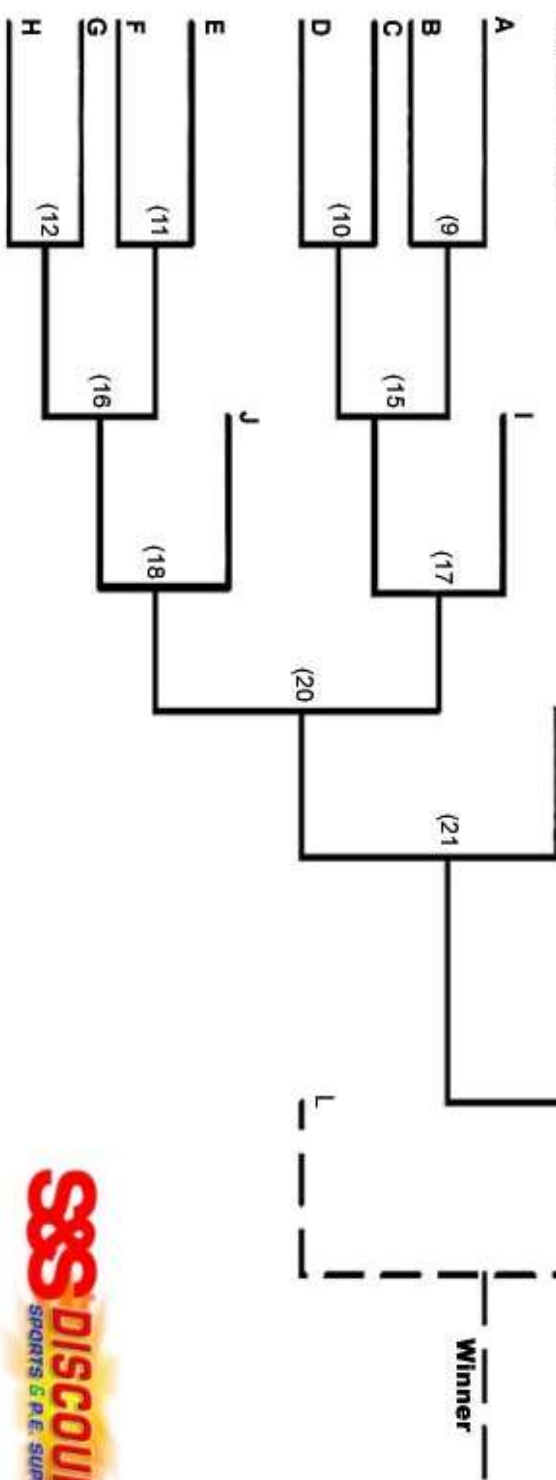


**Winner**

**Winner's Bracket**



**Loser's Bracket**



**12 Team Double Elimination**

