



**WARNING:**  
 CHOKING HAZARD/SHARP POINTS- Assembly hardware contains small parts and components with sharp points.  
 Adult assembly required.

**Required Tools:**  
 -Electric Drill  
 -Medium Phillips Screwdriver  
 -Tape

**Instructions for:  
 6398JC/6399JC Tray Rail Kit**

Hardware Package **HCGU**

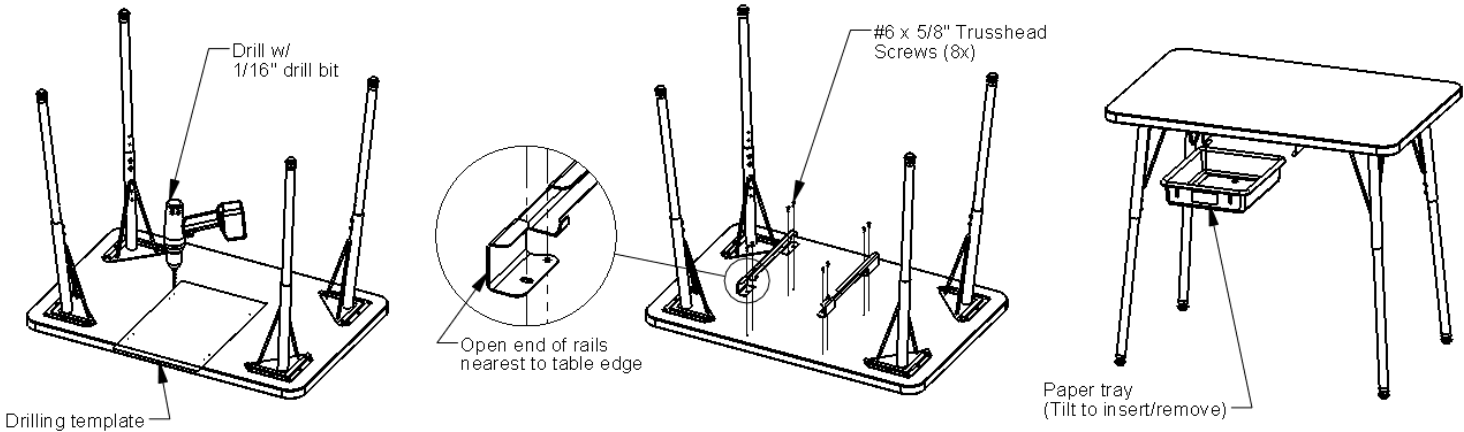
Qty	Description
(8) <b>XBTX</b>	#6 x 5/8" Trusshead Screws
(1) <b>XACO</b>	Paper Drilling Template
(1) <b>YIAS</b>	1/16" Drill Bit

Also included in the kit:

Qty	Description
(1) <b>XCSY</b>	Top-Mount Tray Rail, Pair
(1) <b>8040JC</b>	Clear Paper Tray (included w/ 6399JC only)

**Assembly Instructions:**

1. Turn the table which the rails will be attached to upside-down and determine the location where the rails will be placed.
2. At the desired location, place the paper drilling template on the bottom surface of the tabletop, align it with the edge of the table as indicated on the template, and use tape to temporarily hold it in place.  
**NOTE:** For tables with stiffener rails attached to the top, the stiffeners may need to be temporarily loosened to use the template.
3. Use an electric drill and the drill bit provided to drill eight 1/16" x 1/2" deep holes as indicated on the template.
4. Remove the template and attach the tray rails using eight #6 x 5/8" trusshead screws and a medium Phillips screwdriver.  
**NOTE:** The rails must be attached so that the open end of the rails is closest to the edge of the table.
5. Turn the table upright and insert the tray into the rails.



If you experience any difficulties when assembling this product, please contact the Jonti-Craft Customer Relations Team at (800) 543-4149 or sales@jonti-craft.com. All other requests for assistance must be directed to your Jonti-Craft Dealer.

General Care & Maintenance Guidelines: [www.jonti-craft.com/generalcare](http://www.jonti-craft.com/generalcare)  
 This product is covered by our Product Limited Warranty, available at [www.jonti-craft.com/warranty](http://www.jonti-craft.com/warranty)