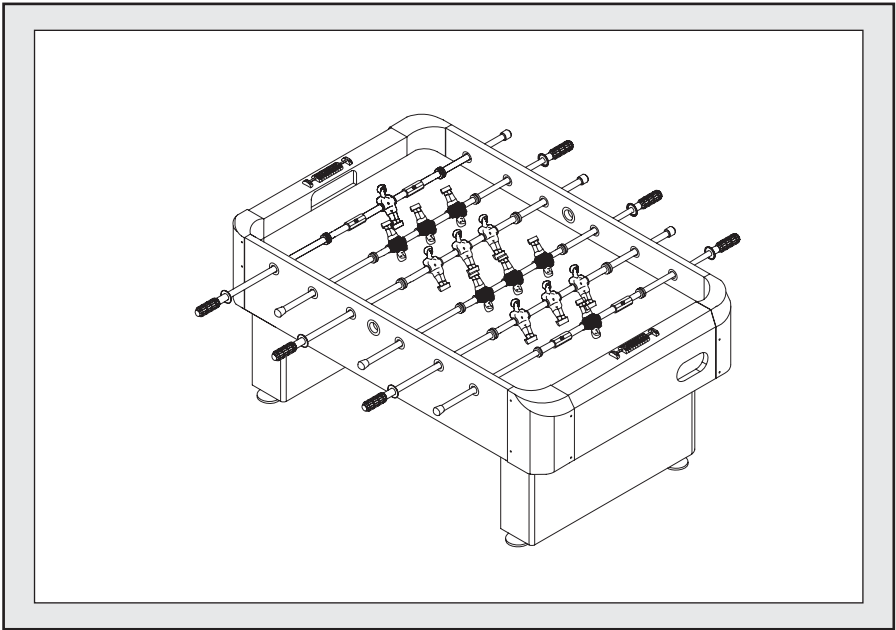


MAINSTREET 36 INCH TABLE SOCCER



Replacement Parts

Order direct at www.gldproducts.com
or call our Customer Service department at
(800) 225-7593
8 am to 4:30 pm Central Standard Time

Staple your receipt here.

Important: A copy of your receipt will be needed to activate your warranty (see page 15).



Congratulations and THANK YOU for purchasing the Mainstreet 36 Inch Table Soccer. You have chosen a product that should provide years of entertainment. To assist you with customer service and warranty claims, staple your receipt to the inside cover, then keep this manual in a safe place for future reference.

GLD Products

S84 W19093 Enterprise Drive

Muskego, WI 53150 USA

1-800-225-7593

Fax: 1-800-841-6944

Email: gld@gldmfg.com

Web: www.gldproducts.com

Es un Manual de Español por favor visite GLD sitio web para descargar.

This manual may have been updated. For the latest manual or a manual in Spanish, visit the GLD products website.



Place your package near the location where it will be used. Carefully unpack all components and verify you have all the correct pieces. If you notice missing or defective parts, please call us at:

1-800-225-7593



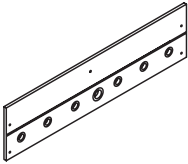
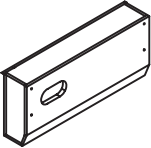
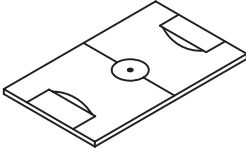
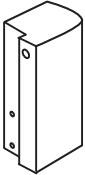
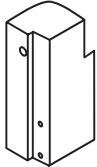
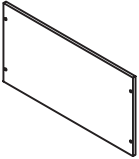




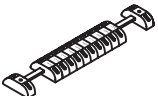
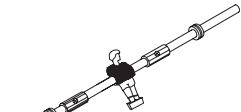
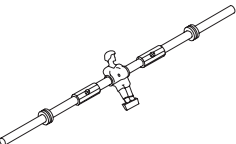
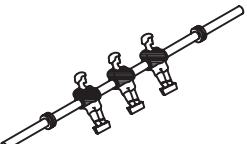
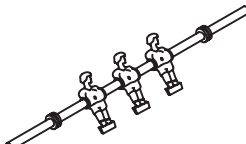
Please read and understand all instructions before beginning assembly.





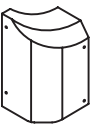
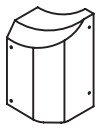
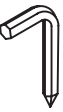


This assembly will require 2 adults.



Choking Hazard

This game has small parts that may break free and present a choking hazard. Children should be supervised by an adult when playing this game.

Part No./ Qty.	Illustration/Order Number	Part No./ Qty.	Illustration/Order Number	Part No./ Qty.	Illustration/Order Number
1 Qty. 2	 Side Apron Order No. 3-279	2 Qty. 2	 End Apron Order No. 3-280	3 Qty. 1	 Soccer Playfield Order No. 3-281
4 Qty. 2	 Left Leg Order No. 3-297	5 Qty. 2	 Right Leg Order No. 3-298	6 Qty. 4	 Leg Panel Order No. 3-283
7 Qty. 4	 22 x 8.5 mm Washer Order No. 3-268	8 Qty. 6	 3.5 x 35 mm Washer Head Screw (2 req., 4 pieces not used) Order No. 3-320	9 Qty. 40	 3.5 x 10.5 mm Washer Head Screw Order No. 3-285
10 Qty. 4	 3.5 x 20 mm Flat Head Screw Order No. 3-286	11 Qty. 2	 Scorer Order No. 3-287	12 Qty. 1	 1 Player Rod Assembly Red Order No. 3-297
13 Qty. 1	 1 Player Rod Assembly Blue Order No. 3-298	14 Qty. 2	 3 Player Rod Assembly Red Order No. 3-289	15 Qty. 2	 3 Player Rod Assembly Blue Order No. 3-290

Part No./ Qty.	Illustration/Order Number	Part No./ Qty.	Illustration/Order Number	Part No./ Qty.	Illustration/Order Number
16 Qty. 1	 Support Brace Order No. 3-291	17 Qty. 4	 Leg Leveler Order No. 3-292	18 Qty. 6	 Hand Grip Order No. 3-293
19 Qty. 6	 End Cap Order No. 3-294	20 Qty. 2	 Left Apron Corner Order No. 3-295	21 Qty. 2	 Right Apron Corner Order No. 3-296
22 Qty. 1	 Allen Wrench/Phillips Screwdriver Order No. 3-190	23 Qty. 2	 Soccer Ball Order No. 3-288	24 Qty. 4	 8 x 30 mm Leg Bolt Order No. 3-284

Ruler in MM

10	20	30	40	50
----	----	----	----	----

IF YOU HAVE A WARRANTY CLAIM, CALL US FIRST

Please see page 13.

GLD Products

Available 8 am to 4:30 pm Central Standard Time

S84 W19093 Enterprise Drive

Muskego, WI 53150 USA

1-800-225-7593

Fax: 1-800-841-6944

Email: gld@gldmfg.com

Web: www.gldproducts.com

For all claims, please have your receipt and item number when you call. The product item number can be found on the front cover.

If you are instructed to return the product for service, you are responsible for shipping the unit at your expense.

PRODUCT REGISTRATION

Important: The product registration form on page 15 and a copy of your receipt must be completed and returned within 10 days of purchase to validate your warranty.

Online registration is also available. Go to www.gldproducts.com/index.php/registration or click on this link. Follow the online instructions.

Preparing for Assembly

- Be sure to unpack all of the parts included in this package. Some parts may be in obscure locations of the packaging. Check inside any tubes or sleeves. Save all packing material until the product is fully assembled and functional.
- Compare the parts in your package with the Parts Identifier description on pages 4 and 5.
- After unpacking large products, some disassembly may be required prior to beginning the assembly.

Tools Required

- Allen wrench/Phillips Screwdriver (#22) - Included with table
- Phillips screwdriver (not included)
- Level (not included)
- Electric screwdriver may be helpful. CAUTION: You must set at LOW TORQUE and use extreme caution because you could overtighten the hardware, strip the screws, or damage the table.
- Rubber mallet or hammer (not included)

Assembly Tips

Make sure you understand the following before you begin to assemble your soccer table.

1. READ THIS MANUAL all the way through before beginning assembly.
2. When installing parts that have more than one bolt, start ALL bolts in that part by hand before tightening anything.
3. Some drawings or images in this manual may not look exactly like your product.
4. You may need a second adult to assist with this assembly.

5. This product requires assembly that uses wood screws in several locations. These screws will have pre-drilled holes to help the screw “grab” when it is started. Some of the screw locations may not have a pre-drilled hole. In this instance you may wish to create a hole to help you start the screw. There are two ways to create a starter hole:
 - Drill the hole - If you are going to drill the starter hole, use a drill bit that is 1/2 the diameter of the screw. Do not drill too deep. The hole only needs to break the surface.
 - Punch the hole - Use a hammer and a sharp punch to break the surface. Be careful to use only the force needed to break the surface. Try to back up the board with a solid stop. Too large of an impact may break the board.

Note: Save all packing materials until the parts have been inspected and the table is assembled.

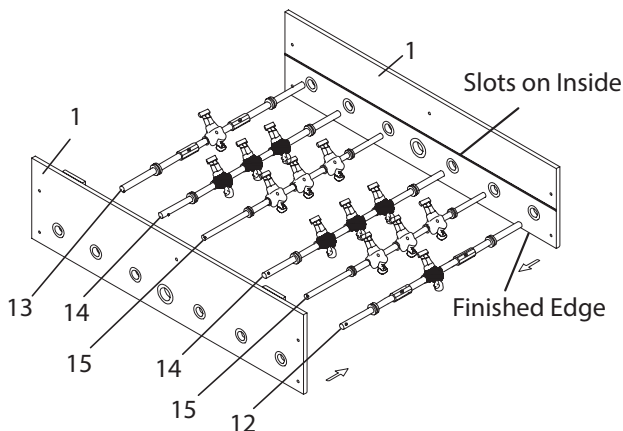
Unpack the Pieces

- Lay the box on a flat surface (floor). You may want this near your area of assembly.
- Unpack the boxes and part bags. Inspect and count the parts. The Parts Identifier page can be used to record your results.
- If any parts are damaged or missing contact GLD customer service.
- Missing fasteners may be purchased at a hardware store using the descriptions on the Parts Identifier page(s).

STEP 1 - ASSEMBLE PLAYER RODS

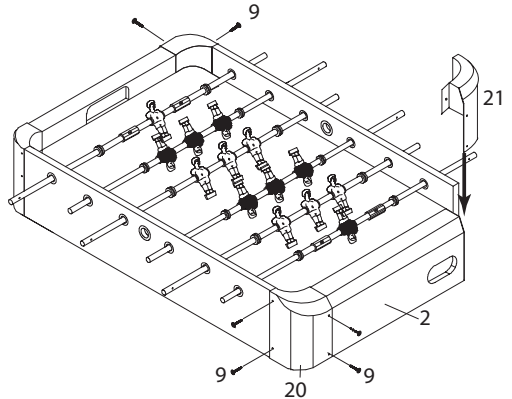
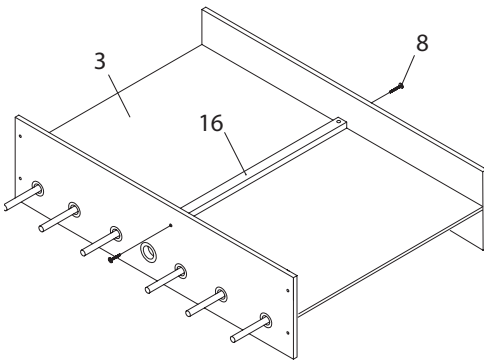
1. Position a side apron (#1) with the finished edge down. The long slot is the inside surface.

Important: To achieve the correct facing direction of the players, first insert the two single player goalie rods (#12 red and #13 blue) into the outer bushings. These two players must face each other AND their feet are positioned upward. Remember that the table is upside down at this point.
2. Slide the red single player rod (#12) into the end bushing.
3. Slide the blue single player rod (#13) into the remaining end bushing.
4. Slide the red three player rods (#14) into the proper bushings. The players will all face in the same direction as their goalie. The rods will be placed into every second position.
5. Slide the blue three player rods (#15) into the proper bushings. The players will all face in the same direction as their goalie and opposite the red players.
6. Slide the second side apron (#1) over the player rods from the open side. The slot must be on the inside with the finished edge down.



STEP 2 - ASSEMBLE THE PLAY FIELD

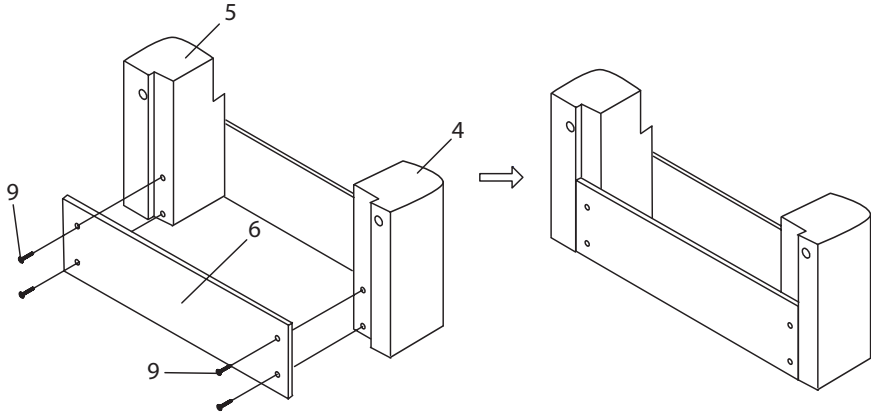
1. Position the soccer playfield (#3) with the graphics down.
2. Slide the soccer playfield (#3) between the two side aprons (#1). The playfield will fit into the slots in the side aprons.
3. Place the support brace (#16) on the soccer playfield (#3) as shown. Attach it using two washer head screws (#8). There will be a gap between the support brace and the playfield.
4. Carefully turn the table over. To keep the player rods from sliding, you can turn the table end over end.
5. Position one of the end aprons (#2) so the end of the playfield is in the slot of the end apron (#2). The end apron should be centered between the sides.
6. Select a right apron corner (#21) and a left apron corner (#20). With the end apron (#2) in position, the corners will slide straight down over the side apron (#1) and the end apron (#2).
7. Use four screws (#9) to secure each apron corner from the outside to the end apron (#2) and the side apron (#1).
8. The outside screws should be secure. Use two screws (#9) on the inside surface of each of the apron corners holding the four aprons in place.



STEP 3 - ASSEMBLE THE LEGS

Each leg assembly has four main pieces, two legs (#4 left and #5 right) and two leg panels (#6). The leg panels (#6) are all the same. Locate the screw holes that the leg panels (#6) screw into.

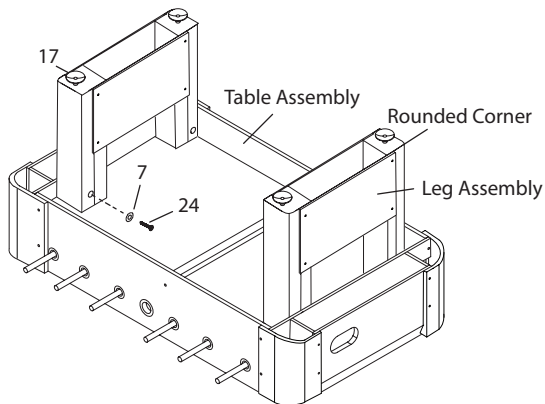
1. Position a leg panel (#6) against one of the legs (#4 or #5). Use two screws (#9) to hold the two parts together.
2. Position the second leg and use two screws (#9) to secure the two parts together.
3. Turn the assembly over. Repeat numbers 1 and 2 to complete the leg assembly.
4. Repeat numbers 1, 2 and 3 to assemble the other two legs and leg panels.



STEP 4- ATTACH THE LEGS

Both of the leg assemblies are the same.

1. Place the table assembly on the flat floor. The bottom must be facing up.
2. Position a leg assembly so that the bolt holes line up with the table assembly.
3. Insert a leg bolt (#24) with a washer (#7) through the hole on the leg assembly into the end apron (#2).
4. Repeat numbers 2 and 3 for the second leg assembly.
5. After each leg assembly has both bolts hand tightened, use the allen wrench (#22) to tighten fully.
6. Attach a leg leveler (#17) to each leg. Screw it halfway in.

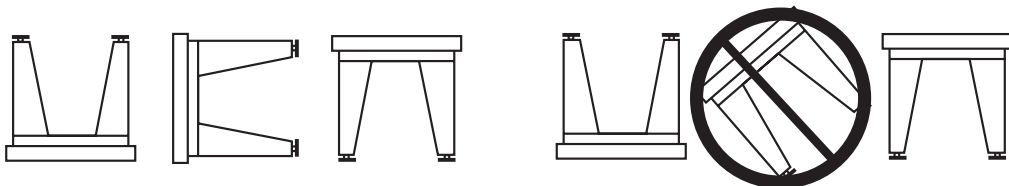


STEP 5 - TURN BASE OVER

The base assembly is ready to be turned over.

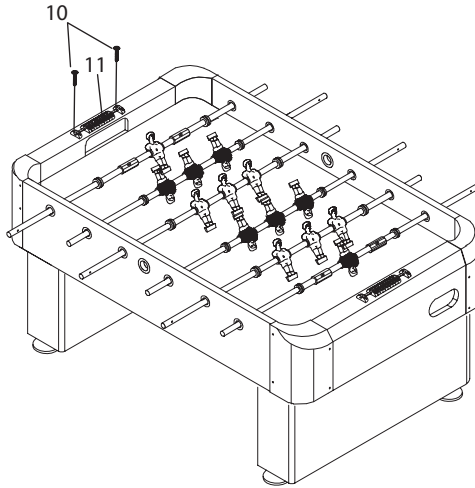
LIFT THE BASE ASSEMBLY AND TURN IT OVER TO REST ON THE LEGS.

DO NOT ROLL THE TABLE OVER. This will place a sideways force on the legs. The legs should be off the floor until the base assembly is rotated completely. Set the base assembly down.



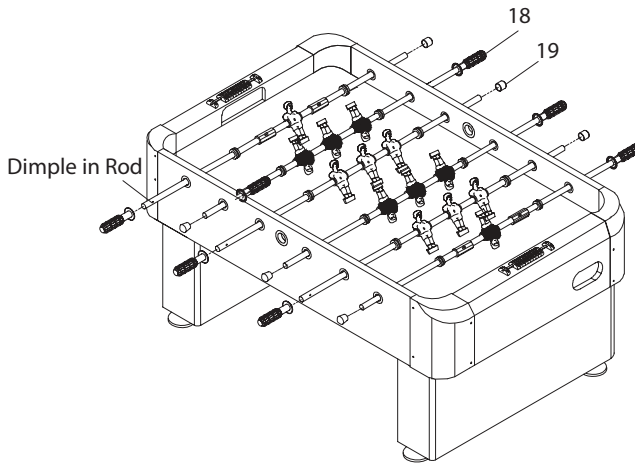
STEP 6 - ATTACH SCORERS

1. Attach a scorer (#11) at each end using two screws (#10).



STEP 7 - ATTACH HAND GRIPS

1. Place a hand grip (#18) on the ends of the player rods that have two small dimples in the rod. Push from the end to slide it onto the rod. A light soap solution may be used on the end of the player rod to help the hand grip slide.
2. Push an end cap (#19) onto the other end of each player rod.



STEP 8 - LEVEL THE TABLE

1. Use a carpenter's level and adjust the leg levelers (#17) as needed until the table is level. Only basic leveling is needed as this is a fast game and the ball is always moving.
2. On most soccer tables the ball will roll to the center of the table. This action keeps the ball moving at all times. If you wish to change the action of the playing field, this table allows you to place a shim on the underside of the table.
 - Turn the table over and locate the support brace that runs across the table center.
 - There will be a gap between the brace and the playing field. Make a shim from layers of cardboard that is slightly thicker than the gap. Push the shim into the gap.
 - Turn the table over and test the action of the ball.
 - Add or remove shim thickness as needed.
 - When the action is correct you may tape the shim(s) in place.

Care and Use of your Table

- This product is intended for INDOOR use only.
- DO NOT sit, climb, or lean on the table.
- DO NOT drag the table when moving it. This will damage the legs.
- To clean the hard surfaces spray a cloth with a mild cleaner and wipe.

ONE YEAR LIMITED WARRANTY

The Manufacturer warrants to the original retail purchaser that this product is free from defects in material and workmanship under normal use and conditions for a period of one year from the date of original purchase. The Manufacturer's liability is limited to the repair or replacement, at its option, of any defective product and shall not include any liability for indirect, incidental or consequential damages of any kind.

Should this product become defective due to material or workmanship within the warranty period, contact our Customer Service Department. This warranty is not transferable and does not cover normal wear and tear or damage caused by improper usage, negligence, misuse, abuse, transportation damage, acts of nature, or accident (including failure to follow the instructions in this manual). It does not cover expendable items such as batteries, light bulbs, fuses, accessories, cosmetic parts and other items that wear out due to normal usage, including felt covered areas of the playing surface. This warranty is also void if the product is disassembled and reassembled, damaged, modified from its original state, or used for other than indoor personal residential use (no commercial or rental applications).

This warranty gives you specific legal rights, and you may have other rights which vary from state to state.

IF YOU HAVE A WARRANTY CLAIM, CALL US FIRST (8 - 4:30 CST):

Please have your receipt and item number (found on the front cover) when you call.

GLD Products

S84 W19093 Enterprise Drive

Muskego, WI 53150 USA

1-800-225-7593

Fax: 1-800-841-6944

Email: gld@gldmfg.com

Web: www.gldproducts.com

If you are instructed to return the product for service, you are responsible for shipping the unit at your expense to the above address in packaging that will protect against further damage. All warranty or repair requests require a Return Authorization Number prior to returning the item.

PRODUCT REGISTRATION

Important: The product registration form on page 15 must be completed and returned along with a copy of your receipt within 10 days of purchase to validate your warranty.

On-line registration is also available.

Go to <http://www.gldproducts.com/index.php/registration> or click on this link. Follow the on-line instructions.

This page left blank intentionally.

REGISTER YOUR PRODUCT

Mail in this completed form with a copy of your receipt (do not staple), within 10 days of purchase. This protects your warranty and will help us develop new products!

GLD Products
Warranty Department
S84 W19093 Enterprise Drive
Muskego, WI 53150 USA



P R O D U C T S

www.gldproducts.com

GAMES TABLES	HOME CASINO
GAMES AND ACCESSORIES	BILLIARD CUES
BILLIARD ACCESSORIES	DARTBOARDS
SOFT-TIP DARTS	STEEL-TIP DARTS
FLIGHTS AND SHAFTS	DART CASES AND ACCESSORIES

Name	Date of Purchase
Address	Phone-Day
City	Phone-Evening
State Zip	Email
Purchase Price:	Item: 55-0511 Mainstreet 36 Inch Table Soccer
Store Name:	

Remember to attach a copy of your receipt.

This page left blank intentionally.

Parts Re-Order Form

Name	Date
Address	Phone-Day
City	Phone-Evening
State Zip	Email

Order No.	Description	Unit Price Each	Qty.	Total Amount
3-279	Side Apron	20.00		
3-280	End Apron	10.00		
3-281	Soccer Playfield	15.00		
3-297	Left Leg	5.00		
3-298	Right Leg	5.00		
3-283	Leg Panel	5.00		
3-284	6 x 30 mm Leg Bolt	2.00		
3-268	18 x 6.5 Washer	0.50		
3-240	3.5 x 35 mm Washer Head Screw	0.20		
3-285	3.5 x 12 mm Washer Head Screw	0.20		
3-286	3.5 x 25 mm Flat Head Screw	0.20		
3-287	Scorer	5.00		
3-190	Allen Wrench	1.00		
3-288	Soccer Ball	1.00		
3-289	3 Player Rod Assembly Red	5.00		
3-290	3 Player Rod Assembly Blue	5.00		
3-291	Support Brace	3.00		
3-292	Leg Leveler	5.00		
3-293	Hand Grip	5.00		
3-294	End Cap	1.00		
3-295	Left Apron Corner	5.00		
3-296	Right Apron Corner	5.00		
3-297	1 Player Rod Assembly Red	4.00		
3-298	1 Player Rod Assembly Blue	4.00		

Shipping will be added. If paid by Check or Money Order, call for quote.

5.1% Waukesha Wisconsin tax will apply (subject to change).

	Total Amount
Subtotal	
S/H	
Tax	
Total	

Method of Payment

Check or Money Order

Credit Card

Visa Mastercard Discover American Express

Card # _____

Security Code # _____ Billing Address _____ Zipcode _____

Signature _____ Exp. Date _____

Shipping Address

Name _____

Address _____ Phone _____

City _____ State _____ Zipcode _____



www.gldproducts.com

GAME TABLES
HOME CASINO
GAMES AND ACCESSORIES
BILLIARD CUES
BILLIARD ACCESSORIES
DARTBOARDS
SOFT-TIP DARTS
STEEL-TIP DARTS
FLIGHTS AND SHAFTS
DART CASES AND ACCESSORIES



PROUD MANUFACTURER OF



Yesterday's games for today's families!
by GLD Products



S84 W19093 Enterprise Drive • Muskego, WI 53150 USA

262.679.8730 or 1.800.225.7593 tele

262.679.8738 or 1.800.841.6944 fax

Email: gld@gldmfg.com

www.gldproducts.com