



**WARNING:**

CHOKING HAZARD/SHARP POINTS- Assembly hardware contains small parts and components with sharp points. Adult assembly required.

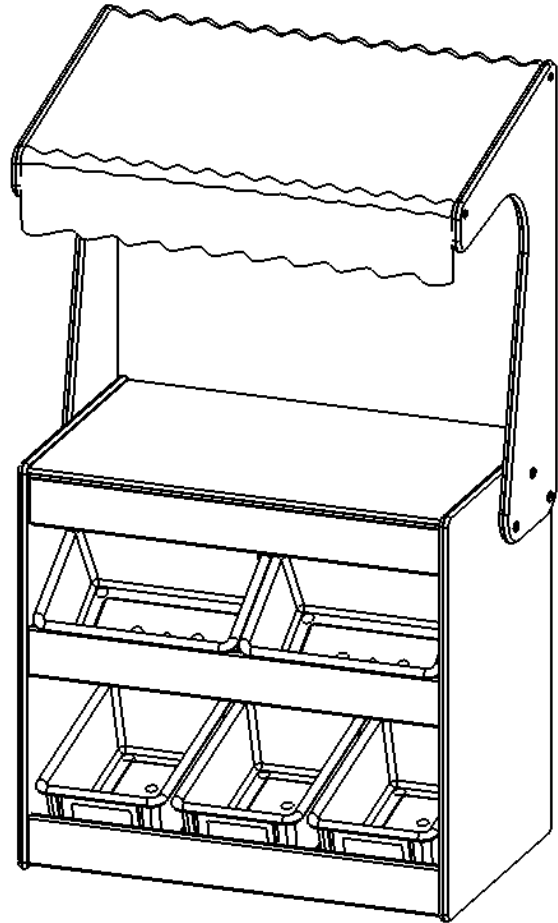
**Instructions for:  
Grocery Market Stand - 2450JC**

Hardware Package **HCIM**

Qty.	Description
(1) <b>X AUS</b>	4mm Hex Wrench
(4) <b>X BHD</b>	Decorative Screw 6mm x 40mm
(6) <b>X AZH</b>	1/4"-20 X 30MM Connector Bolt

Also Included:

- (1) **BKQK** Canopy Side, Left
- (1) **BKVK** Canopy Side, Right
- (1) **XAKX** Canopy
- (2) **MADF** Canopy Rod

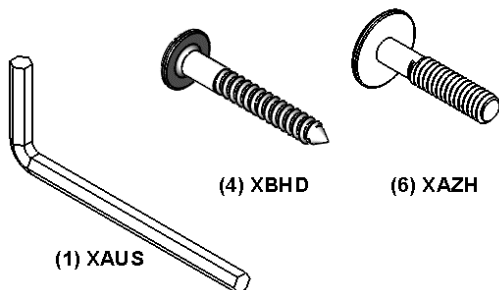


**Tools Required:**

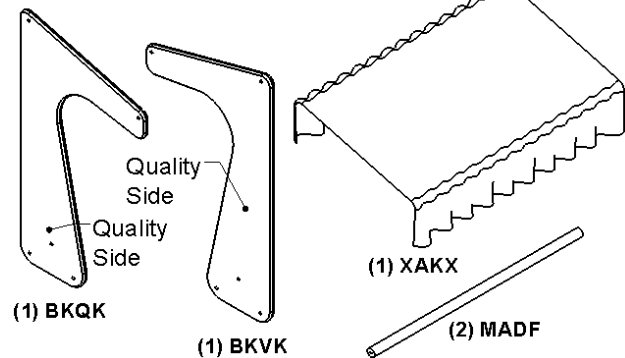
-4mm Hex Wrench, (Provided)

**Hardware Illustrations**

Hardware Package:



Also Included:



Not Actual Size

**Assembly Instructions:**

DHCIM – Rev. F – 18 July 2023

800-543-4149

507-342-5169

[www.jonti-craft.com](http://www.jonti-craft.com)

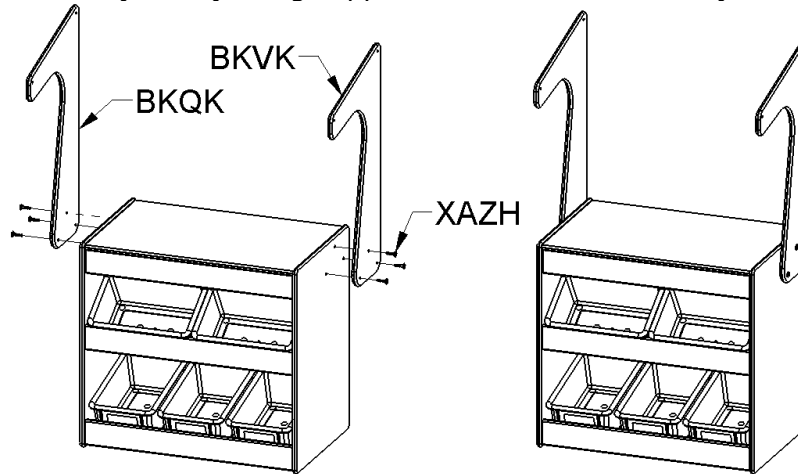
JonTi-Craft, Inc.

171 Hwy 68

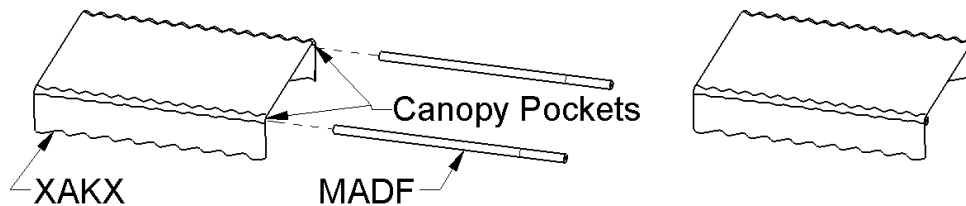
P.O. Box 30

Wabasso, MN 56293

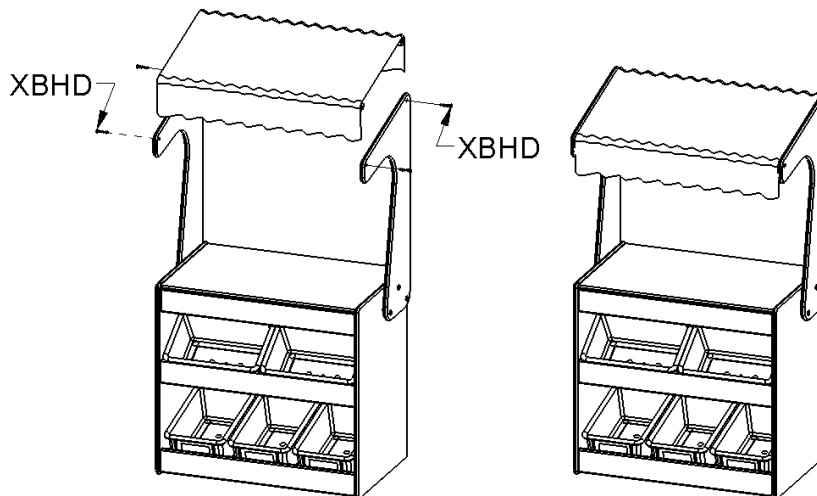
1. Install **2- Canopy Sides (BKQK, BKVK)** to each side of Grocery Market Stand with **6- 1/4"-20 x 30mm Connector Bolts (XAZH)** using supplied **4mm Hex Wrench (XAUS)**.



2. Guide **2- Canopy Rod (MADF)** through pockets sewn into **1- Canopy (XAKX)**.



3. Secure Canopy Rods with Canopy between the Canopy Sides with **4- Decorative Screw (XBHD)** using supplied **4mm Hex Wrench (XAUS)**.



4. If you experience any difficulties when assembling this product, please contact the Jonti-Craft Customer Relations Team at (800) 543-4149 or [sales@jonti-craft.com](mailto:sales@jonti-craft.com). All other requests for assistance must be directed to your Jonti-Craft Dealer.

General Care & Maintenance Guidelines: [www.jonti-craft.com/generalcare](http://www.jonti-craft.com/generalcare)

This product is covered by our Product Limited Warranty, available at [www.jonti-craft.com/warranty](http://www.jonti-craft.com/warranty)